



**TDE**  
Equipment and  
Manufacturing

# Cutting and Grinding Technology

More than 50 years experience

**VOKA**<sup>®</sup>  
by TDE Group

# Efficient cutting and grinding

up to 1000°C  
from steel to titanium

Cutting and Grinding of metal is our profession



## About the company

VOKA has been established for over 50 years as a worldwide, recognizable brand for high-quality cutting and grinding machines used in metal processing and foundry industries. As a global leader in technology we offer an extensive range of high performance cutting and grinding machines which excel in the most challenging of applications. VOKA machines are a product of TDE Equipment and Manufacturing GmbH, a member of the TDE Group. As part of the TDE Group we continue to increase our knowledge and service to benefit our customers. We ensure that our machines will last a lifetime. Our machines from the first generation (50 years ago) are still in use today.



# Grinding machines

Our grinding machines deliver unmatched accuracy for the most demanding grinding applications of the metal processing industry and in the foundry industry.

**VOKA**<sup>®</sup>  
by TDE Group

## Stationary grinding machines

### Fettling Cabins

Developed to create a practical grinding place with noise and dust control.

### Cylindrical Grinding Machines

Specifically built for the foundry industry and large scale production, our machines meet your requirements of high precision grinding.

### Remote Control Grinding Machines

Remotely controlled pendulum grinding machines, that allow rough grinding operations for casting surfaces.

- Disk Dimensions up to Ø600 mm diameter and a width from 40 to 80 mm
- Perfect for smooth grinding
- Minimum noise level in connection with a noise reduction housing
- For steels and other hard metals (eg Titanium)
- For all kinds of surfaces

## Hot metal cut-off machines

- Wheel Dimensions up to Ø 1800 mm
- For temperatures of up to 1000 °C
- Short cutting times
- Highly accurate
- No shaping

## Special machinery

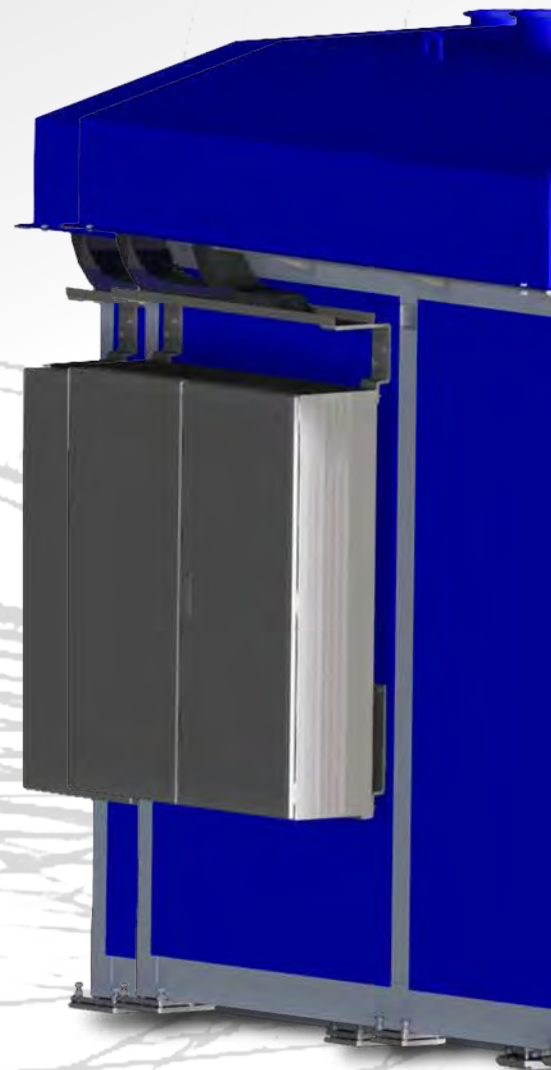
We design and construct bespoke cut off and grinding machines to suit your needs.

- Material handling systems
- Fully automated systems
- For large dimensions
- For all metal surfaces

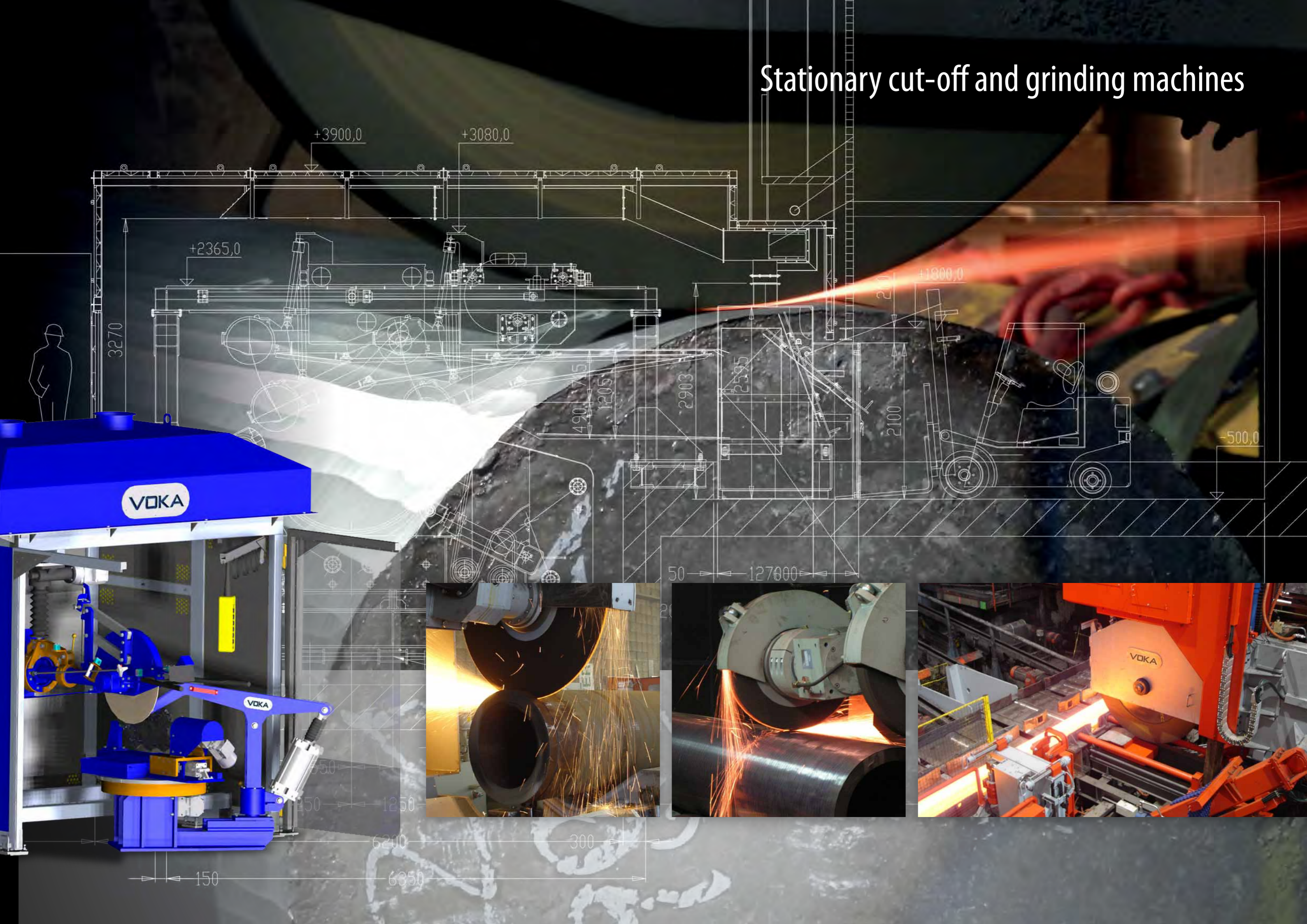
## Stationary cut-off machines

We provide an extensive range of stationary cut-off machines, designed for small-scale to very large work pieces and shapes. Depending on your requirements they may be manually or remotely controlled.

- Disk Dimensions up to Ø1800 mm
- Minimum thermal effect on ground material
- With feeding and ejecting devices
- High accuracy and positioning
- flat cutting Surfaces
- High output



# Stationary cut-off and grinding machines



VOKA

VOKA

VOKA

150

6200

6350

300

50 127000

1250

1250

1250

1250

1250

+3900,0

+3080,0

+2365,0

3270

490

775

1205

2903

2535

2100

2100

+1800,0

-500,0



# Cut-off machines

VOKA cut-off machines  
ensure high precision after  
many years of service.

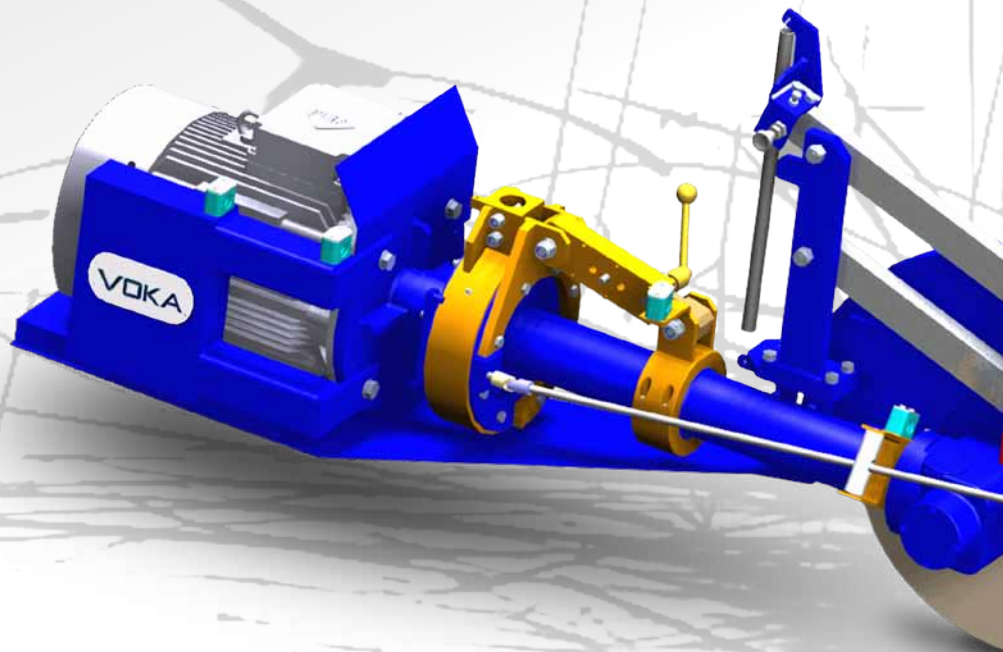
**VOKA**<sup>®</sup>  
by TDE Group

## Pendulum cut-off machines

- Disk Dimensions up to Ø600 mm
- Disk speed up to 100 m/s
- Long life of cutting disks
- High cutting output

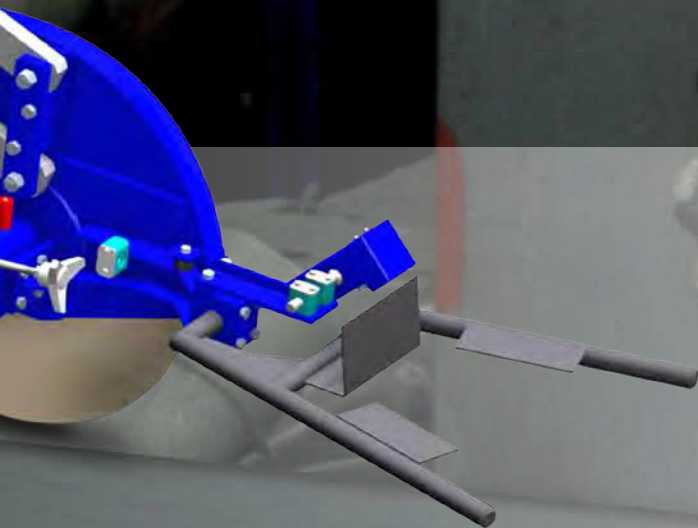
## Pendulum grinding machines

- Disk Dimensions up to Ø600 mm diameter and a width 40 up to 60 mm
- Easy to handle without exhausting the operator
- Smooth surface quality
- Guaranteed trouble-free continuous operation





# Pendulum cut-off and grinding machines





TDE Equipment and Manufacturing GmbH

Edling - Seizerstrasse 2  
8793-Trofaiach / Austria

UID: ATU29848608

Tel: +43 3847/ 2365  
Fax: +43 3847/ 2365 - 20

[office@tde-group.com](mailto:office@tde-group.com)  
[www.tde-group.com](http://www.tde-group.com)



TDE Group GmbH

Langgasse 9  
8700-Leoben / Austria

UID: ATU63868345

Tel: +43 3842/ 48481 - 10  
Fax: +43 3842/ 48481 - 19

[office@tde-group.com](mailto:office@tde-group.com)  
[www.tde-group.com](http://www.tde-group.com)